

Contec



## Tupfer Contec Constix #SP-9

pure<sup>11</sup>-Nr.: 1130956, Marke: Contec

### Eigenschaften

- Marke: Contec
- Kopfform: rund
- Material Tupferkopf: Polyester-Gestrick
- Material Schaft: Polypropylen
- Grifflänge in mm: 59,7 mm
- Material: Polyester
- Art des Kopfes: beweglich
- Kopflänge in mm: 10,7 mm
- Kopfbreite in mm: 3,9 mm
- Anzahl in kleinster Unterverpackung: 100
- Ausprägung Kopf: einseitig
- Farbe Griff: Blau

### Empfohlene

### Reinraumklassen

ISO 3|4|5|6|7|8|9

GMP A/B|C|D

## Material

- Polyester

## Verpackung

- 500STK

## Produktvarianten

---

**pure<sup>11</sup>-Nr.: 1130956, Tupfer Contec Constix #SP-9**

Material: Polyester / VE: 500STK

---

# CONSTIX® Sealed Polyester Swab SP-9

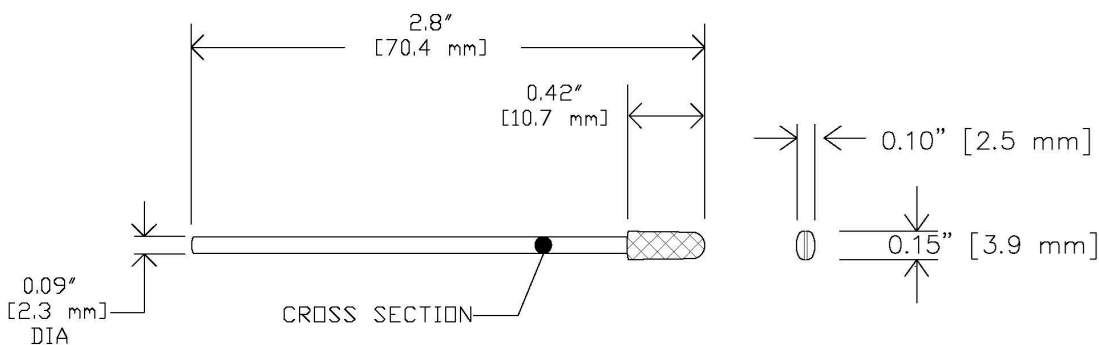
## Small double layer sealed knitted polyester swab



CONSTIX® SP-9 sealed polyester swab consists of 100% knitted polyester fabric that is thermally bonded to a flex-tip polypropylene handle. The swab head is made of cleanroom laundered, double layer knitted microfiber polyester material. The polyester head is constructed without adhesives or binders, which makes the swab compatible with most common solvents, such as alcohols and ketones. The polypropylene handle has a thin, flexible tip that enables access to very small areas and components. The SP-9 swab is durable, absorbent and features extremely low particles and residue levels.



Features	Benefits
Sealed polyester head	<ul style="list-style-type: none"> <li>• Provides enhanced sorbency, particle entrapment, and removal</li> <li>• Compatible with most common solvents, such as alcohols and ketones</li> </ul>
Thin, flexible tip	<ul style="list-style-type: none"> <li>• Enables access to very small areas and components</li> </ul>

Part No.	Description	Size	Packaging
SP-9	CONSTIX Sealed polyester swab	Head dimension: 0.15" x 0.42" (3.9 x 10.7 mm) Handle diameter: 0.09" (2.3 mm) Total length: 2.8" (70.4 mm)	100/case



Product Information	
Head material	<ul style="list-style-type: none"> <li>Knitted polyester</li> </ul>
Handle material	<ul style="list-style-type: none"> <li>Polypropylene</li> </ul>
Construction	<ul style="list-style-type: none"> <li>Thermally sealed and attached</li> </ul>
Packaging materials	<ul style="list-style-type: none"> <li>Outer bags (OB1): low density polyethylene (LDPE) </li> <li>Case (CS): corrugated fiberboard (PAP) </li> </ul>
Environment	<ul style="list-style-type: none"> <li>ISO 3-8 Grade A/B</li> </ul>

Recycle Symbols



Packaging	EA/BG	BG/CS	EA/CS
SP-9	100	5	500

EA = each; BG = bag; CS = case